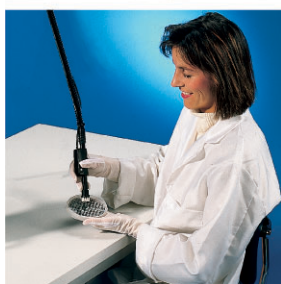


micro-cleaning

Suction Gun

Vac-Blast Cleaner



Suction Gun

Debris, swarf, dust, fibres and liquids are safely and quickly collected and the use of dangerous and uncontrollable compressed air blast is avoided. Interchangeable nozzles make it extremely easy to use.

Technical data

Supply	Compressed air: ~ 6 bar
Air usage	310 l/min.
Vacuum	- 40.000 Pa
Suction volume	670 l/min.
Velocity in suction tube	100 m/s
Noise level	~ 77 dB (A)
Weight	700 g

Vac-Blast Cleaner

This ergonomic unit controls suction and air blow. It is ideal for removing virtually inaccessible particles and liquids from blind holes and crevices.

Technical data

Supply	Compressed air: ~ 6 bar
Air usage	0.3 m ³ /min.
Vacuum	approx. 30.000 Pa
Noise level	~ 72 dB (A)

Suction Gun SP 14 ...

Suitable for

Dry, non-toxic dust and swarf



Dry, non-toxic dust and swarf



Wet swarf,
e.g. when screw cutting



Wet swarf



Order No.

Comprises

14-210
11 01 001

Suction Gun SP 14 WS
Felt filter bag
with screw cap
0.3 m anti-static hose Ø 20
*largest particle Ø 9,5 mm
when using fishtail nozzle Ø 3 mm*

41 06 015
10 26 010
10 26 014
10 26 012

Standard accessories (without compressed air hose):
Round brush
Fishtail nozzle
Hard bristle fishtail nozzle
Soft bristle fishtail nozzle

14-220
91 06 038
91 50 200
91 03 021
91 03 009

Suction Gun SP 14 MB 1,5
Felt filter
1.5 litre dust container
3 m of compressed air hose Ø 10
3 m of anti-static hose Ø 20
*largest particle Ø 9,5 mm
when using fishtail nozzle Ø 3 mm*

41 06 015
10 26 010
10 26 014
10 26 012

Standard accessories (without compressed air hose):
Round brush
Fishtail nozzle
Hard bristle fishtail nozzle
Soft bristle fishtail nozzle

Accessories: Mounting bracket see page 6

14-230
11 01 007
91 50 200
91 03 021
91 03 009

Suction Gun SP 14 MB 1,5
Aerosol filter
1.5 litre dust container
3 m of compressed air hose Ø 10
3 m of anti-static hose Ø 20
*largest particle Ø 9,5 mm
when using fishtail nozzle Ø 3 mm*

41 06 015
10 26 010
10 26 014
10 26 012

Standard accessories (without compressed air hose):
Round brush
Fishtail nozzle
Hard bristle fishtail nozzle
Soft bristle fishtail nozzle

Accessories: Mounting bracket see page 6

14-250
11 01 007
91 50 302
91 03 021
91 03 009

Suction Gun SP 14 MB 30
2 Aerosol filters
30 litre dust container
3 m of compressed air hose Ø 10
3 m of anti-static hose Ø 20
*largest particle Ø 9,5 mm
when using fishtail nozzle Ø 3 mm*

41 06 015
10 26 010
10 26 014
10 26 012

Standard accessories (without compressed air hose):
Round brush
Fishtail nozzle
Hard bristle fishtail nozzle
Soft bristle fishtail nozzle

Vac-Blast Cleaner BS 14 MB 1,5

Suitable for

Compressed air driven release and collection of dry particle

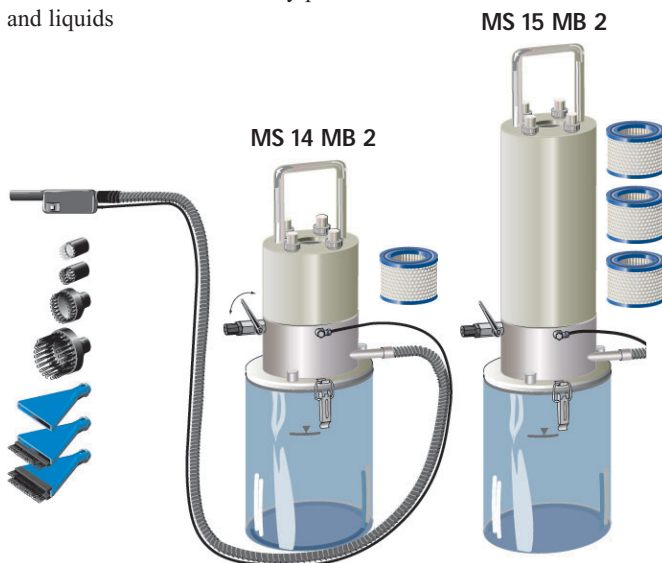


Order No.

Comprises

14-600	Vac-Blast Cleaner BS 14 MB 1,5
	<i>accessories:</i>
14-803	Vac-Blast unit
14-030	Vac-Blast nozzle FD 14/1
91 50 200	1.5 litre dust container with felt filter
91 06 038	
41 06 032	Soft bristle round brush Ø 17,5
41 06 036	Hard bristle round brush Ø 17,5
41 06 015	Round brush Ø 40
41 06 033	Double round brush Ø 40/50
10 26 010	Fishtail nozzle
10 26 014	Hard bristle fishtail nozzle
10 26 012	Soft bristle fishtail nozzle
91 03 009	Antistatic suction hose Ø 20, 1.5 m <i>largest particle Ø 7 mm</i> <i>blowing air may be switched on via a manual valve</i>
	<i>Option</i>
12 01 010	Support
	Foot pedal 14" for hose Ø 8 made by Festo, Bosch or another supplier

Reseal and collection of dry particles and liquids



Vac-Blast Cleaner MS14 MB 2 Vac-Blast Cleaner MS15 MB 2

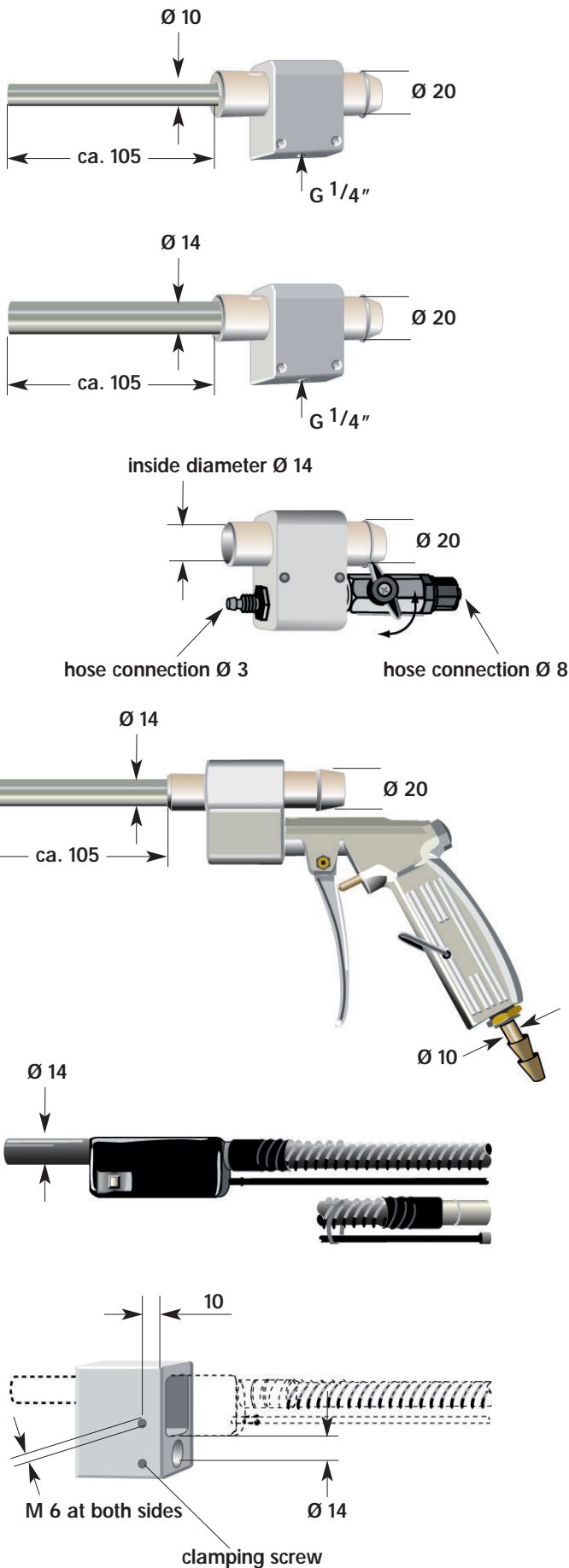
14-805	Vac-Blast MS 14 MB 2
14-806	Vac-Blast MS 14 MB 2 without accessories
15-805	Vac-Blast MS 15 MB 2
15-806	Vac-Blast MS 15 MB 2 without accessories
	<i>Accessories</i>
	Vac-Blast unit
14-803	1 x Aerosol cartridge (MS 14 MB 2)
91 06 036	3 x Aerosol cartridge (MS 15 MB 2)
91 06 159	
41 06 032	Soft bristle round brush Ø 17.5
41 06 036	Hard bristle round brush Ø 17.5
41 06 015	Round brush Ø 40
41 06 033	Double round brush Ø 40/50
10 26 010	Fishtail nozzle
10 26 014	Hard bristle fishtail nozzle
10 26 012	Soft bristle fishtail nozzle
	<i>largest particle Ø 7 mm</i>
14-810	Clean room version MS 14 MB 2 (specially packed)

Components

Suction Nozzles, Guns

Order No.

Comprises



14-010

Suction nozzle FD 10
 smallest bore diameter 7,5 mm
 2 x mounting holes Ø 5.5 mm
largest particle Ø 7 mm

14-020

Suction nozzle FD 14
 smallest bore diameter 10 mm
 2 x mounting holes Ø 5,5 mm
largest particle Ø 9.5 mm

14-030

Suction nozzle FD 14/1 with shut-off
 smallest bore diameter 10 mm
 2 x mounting holes Ø 5.5 mm
largest particle Ø 9.5 mm

14-212

Suction Gun SP 14
 (without accessories, weight 550 g)
largest particle Ø 9.5 mm

14-803

Vec-Blast unit
 1.5 m of suction hose Ø 20
 1.5 m of compressed air hose Ø 3
 connection for BS 14

14-807

connection for MS 14

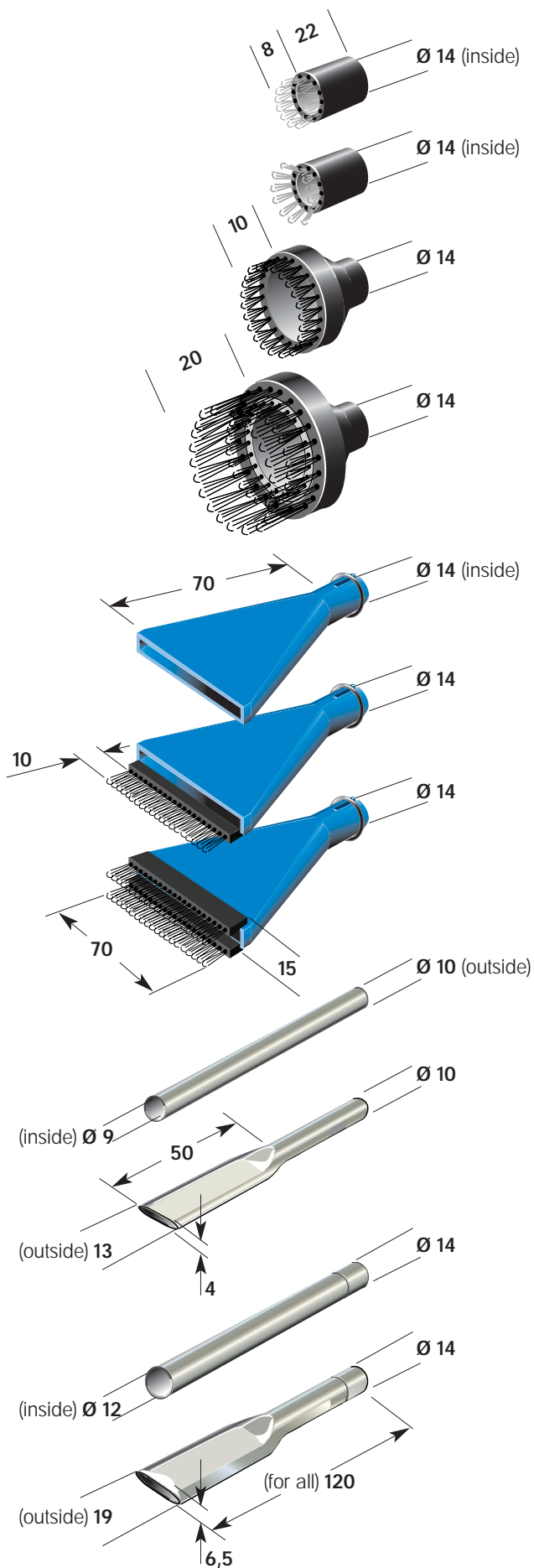
(blowing air may be switched on via a manual valve)
largest particle Ø 7 mm

10 36 031

Vac-Blast mounting
 (aluminium)

Accessories

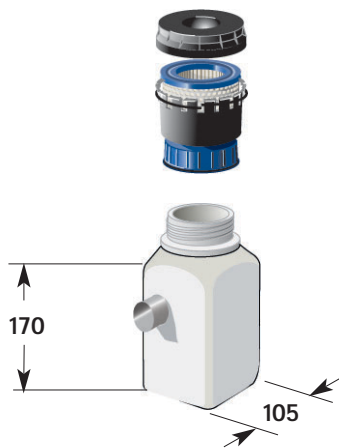
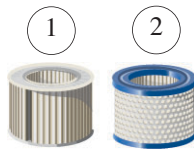
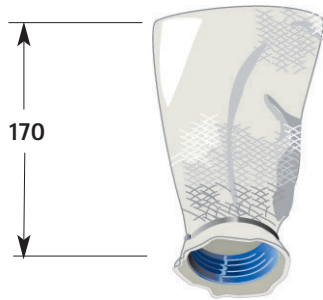
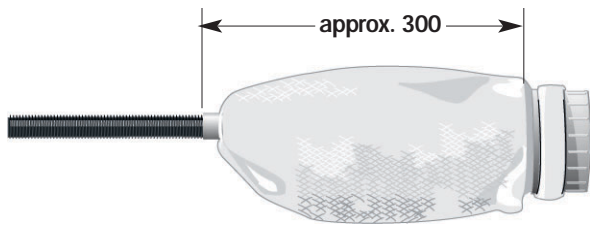
Brushes, Nozzles, Suction Tubes



Order No.	Comprises
41 06 032	Round brush Ø 14 (polyamide) Ø D 17.5 soft bristle 0.1 mm bristle diameter
41 06 036	Round brush Ø 14 (polyamide) Ø D 17.5 hard bristle 0.2 mm bristle diameter
41 06 040	Round brush Ø 14 (polyamide) Ø D 19 soft bristle (pointing outwards) 0.1 mm bristle diameter
41 06 041	Round brush Ø 14 (polyamide) Ø D 19 hard bristle (pointing outwards) 0.2 mm bristle diameter
41 06 015	Round brush Ø 14 Ø D 40 0.1 mm bristle diameter
41 06 033	Double round brush Ø 14 Ø D 50 x Ø D 40 0.1 mm bristle diameter
10 26 010	Fishtail nozzle Ø 14
10 26 014	Hard bristle fishtail nozzle Ø 14 1 row of hard bristles
10 26 012	FSoft bristle fishtail nozzle Ø 14 2 rows of soft bristles
10 03 015	Suction tube Ø 10 (stainless steel)
10 03 016	Flat tube Ø 10 (stainless steel)
10 04 014	Suction tube Ø 14 (nickel-plated brass)
10 04 015	Flat tube Ø 14 (nickel-plated brass)

Accessories

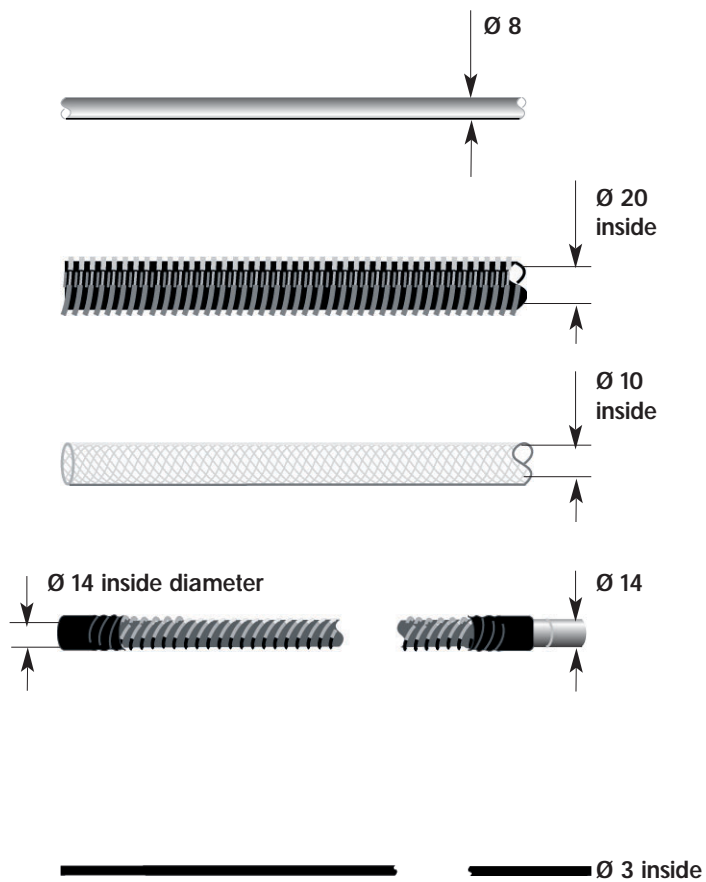
Filters and containers



Order No.	Comprises
11 01 001	Felt filter bag with hose screw cap and 0.3 m of anti-static hose Ø 20
91 06 038	Felt filter (for 1.5 litres dust container) with screw cap
91 06 036	Aerosol filter cartridge 5 µm 1.170 cm ² 1.) for SP 14 MB 1,5 / SP 14 MB 30
91 06 159	2.) for MS 15 MB 2 / MS 14 MB 2
11 01 007	Filter housing with aerosol filter cartridge and screw cap, including filter 91 06 036
91 50 200	1.5 litre dust container with suction connection Ø 20 for Suction Gun SP 14 MB 1,5
12 01 010	Mounting bracket for 1.5 litre dust container
91 50 302	30 litre dust container Aerosol filter cartridge for the separation of liquids including screw cap and connection for suction hose Ø 20

Accessories

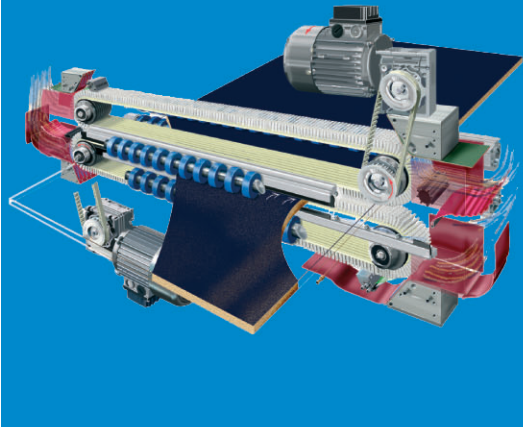
Hoses and foot pedal



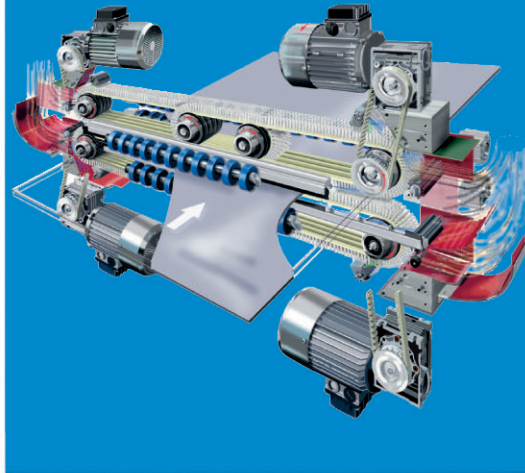
Order No.	Comprises
91 03 043	Compressed air hose PU black Ø 8 approx. 1.5 m
91 03 009	Anti-static hose PU black Ø 20 approx. 1.5 m
91 03 021	Compressed air hose Transparent reinforced material Ø 10 approx. 3 m
91 03 063	Suction hose Ø 14, approx. 1.5 m with coupling for: BS 14 MB 1,5 MS 14 MB 2 MS 15 MB 2
91 03 101	Compressed air hose Ø 3, approx. 1.5 m

Wandres micro-cleaning for micro-cleaning of surfaces

Wiping edge to edge ...



...middle to edge



Web-Cleaner
WB 56 ...



Cleaner CF 02



TN 36 ...



Sword Brush BI 46